

H PARTS LIST

PRIMAAX® EX / FIREMAAX® EX PRIMAAX® / FIREMAAX® Series

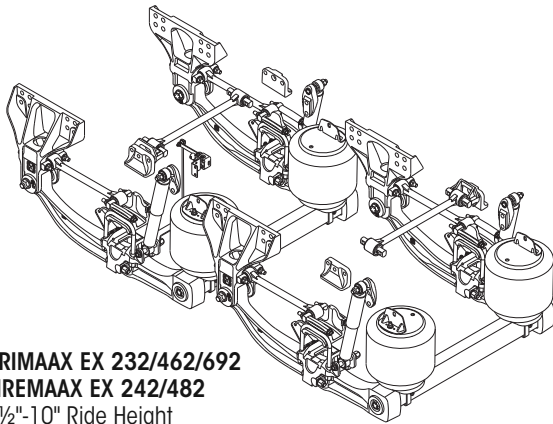
LIT NO: SP-164

DATE: May 2012

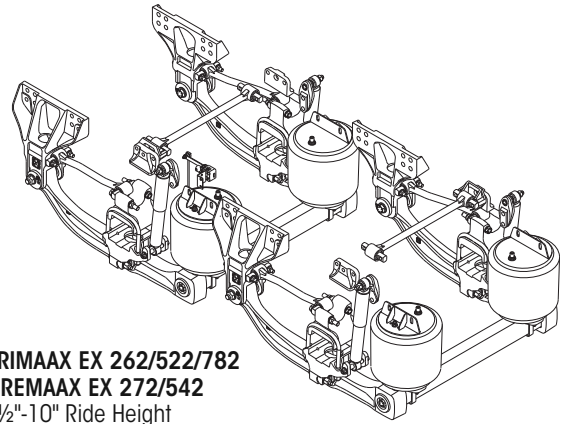
REVISION: H

CONTENTS

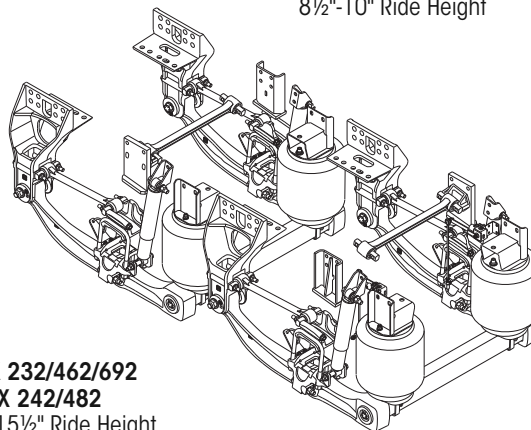
DESCRIPTION	PAGE	DESCRIPTION	PAGE
Technical Notes	2	PRIMAAX EX 262/522/782 FIREMAAX EX 272/542	
Selection Guides	3	• 8½"-10" Ride Height	14
• Bottom Cap, Axle Spacer, Longitudinal Torque Rod Assembly		PRIMAAX 260/520/780 FIREMAAX 270/540	
Notes	5	• 8½"-10" Ride Height	16
PRIMAAX® EX 232/462/692 FIREMAAX® EX 242/482		Support Beam and Cross Tube	
• 8½"-10" Ride Height	6	Replacement Guide	18
• 12½"-14¾"-15½" Ride Height	8	Severe Service Kits	19
PRIMAAX 230/460/690 FIREMAAX 240/480		U-beam Assembly Enhancement	
• 8½"-10" Ride Height	10	Aftermarket Service Kit	19
• 12½"-14¾"-15½" Ride Height	12		



PRIMAAX EX 232/462/692
FIREMAAX EX 242/482
8½"-10" Ride Height



PRIMAAX EX 262/522/782
FIREMAAX EX 272/542
8½"-10" Ride Height



PRIMAAX EX 232/462/692
FIREMAAX EX 242/482
12½"-14¾"-15½" Ride Height



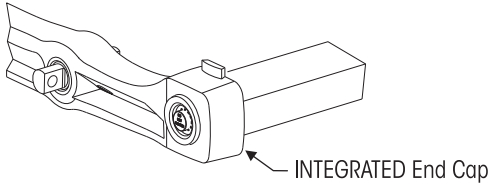
■ Technical Notes

The following information is intended to assist in determining which suspension is equipped on the vehicle on vehicle. As an example, in Figure 1, the end cap identifies if the suspension is a PRIMAAX EX • FIREMAAX EX or a PRIMAAX • FIREMAAX, Figure 2 identifies suspension capacity, and in Figure 3, the frame hanger identifies the ride height.

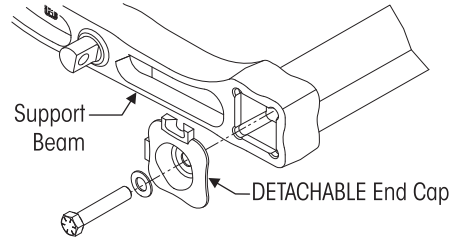
PRIMAAX EX / FIREMAAX EX or PRIMAAX / FIREMAAX

FIGURE 1

PRIMAAX EX | Enhanced U-beam Assembly with
FIREMAAX EX | Integrated End Cap

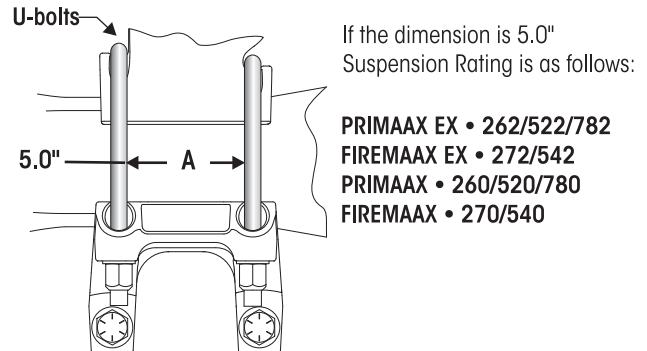
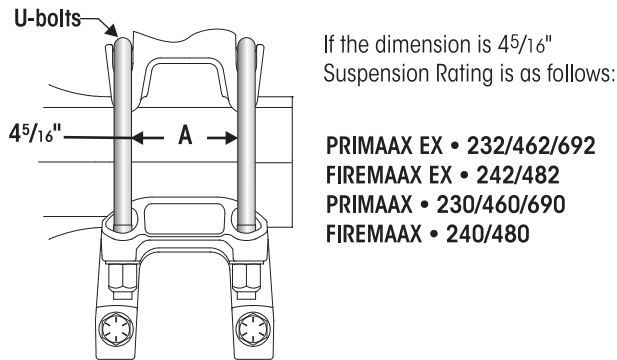


PRIMAAX | Support Beam with
FIREMAAX | Detachable End Cap



SUSPENSION RATING / CAPACITY

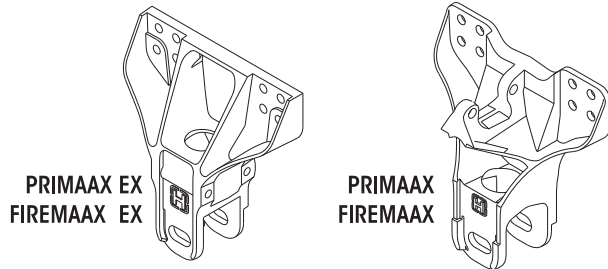
FIGURE 2



RIDE HEIGHT

FIGURE 3

Frame Hangers
8¹/₂"-10" Ride Height



Frame Hangers
12¹/₂"-15¹/₂" Ride Height

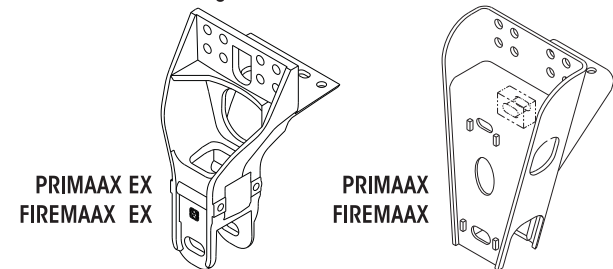
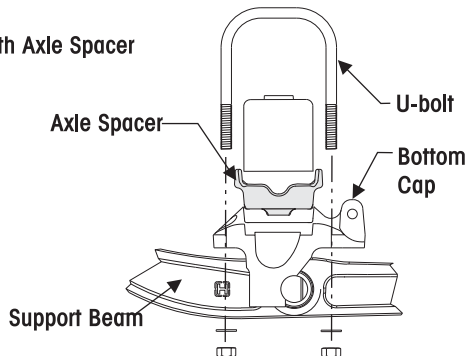
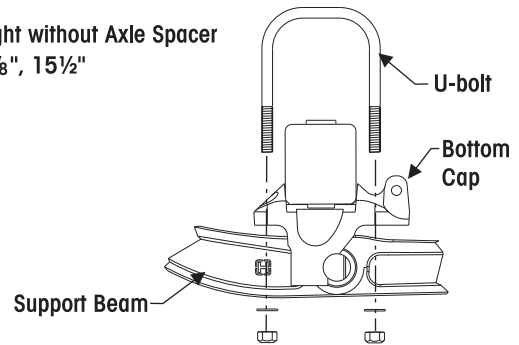


FIGURE 4

Ride Height with Axle Spacer
8¹/₂", 12¹/₂"



Ride Height without Axle Spacer
10", 14³/₈", 15¹/₂"





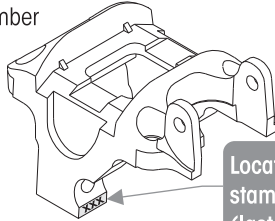
Bottom Cap and Longitudinal Torque Rod Assembly

PRIMAAX EX 232/462/692 | FIREMAAX EX 242/482 • PRIMAAX 230/460/690 | FIREMAAX 240/480

BOTTOM CAP

- Ride Height 8½", 12½", 14¾", 15½"

Locate the part number stamped on the bottom cap 60556-XXX



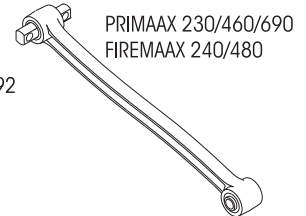
Location of stamped Part No. (last three digits)

- Ride Height 10"
See Table below

LONGITUDINAL TORQUE ROD ASSEMBLY

- Ride Height 8½", 10"
See Table below

- All Other Ride Heights
See Specific Parts List



PRIMAAX EX 232/462/692 | FIREMAAX EX 242/482

Page 7	Key No. 11	Key No. 26	
PINION ANGLE	10" RIDE HEIGHT BOTTOM CAP PART NO.	8½" and 10" RIDE HEIGHT LONGITUDINAL TORQUE ROD ASSEMBLY PART NO.	
		FRONT	
		DRUM BRAKE	DISC BRAKE
1.5	60556-035	67428-425	
2.0	60556-040		
2.5	60556-025	*67428-435	67219-435
3.0	60556-030		
3.5	60556-035		
4.0	60556-040		
4.5	60556-045		
5.0	60556-050		
5.5	60556-055		
6.0	60556-060		
6.5	60556-065		
		REAR	
7.0	60556-110	67428-450	67219-435 Plus Pinion Spacer: 67045-071
7.5	60556-115		
8.0	60556-120		
8.5	60556-125	67428-460	67219-435 Plus Pinion Spacer: 67045-069
9.0	60556-130		
9.5	60556-135		
10.0	60556-100		
10.5	60556-105	*67428-475	67219-475
11.0	60556-110		
11.5	60556-115		
12.0	60556-120		
12.5	60556-125		
13.0	60556-130		
13.5	60556-135		
14.0	60556-140		
14.5	60556-145		

* Torque rod bushings are non-serviceable, replacement requires complete torque rod assembly with bushings.

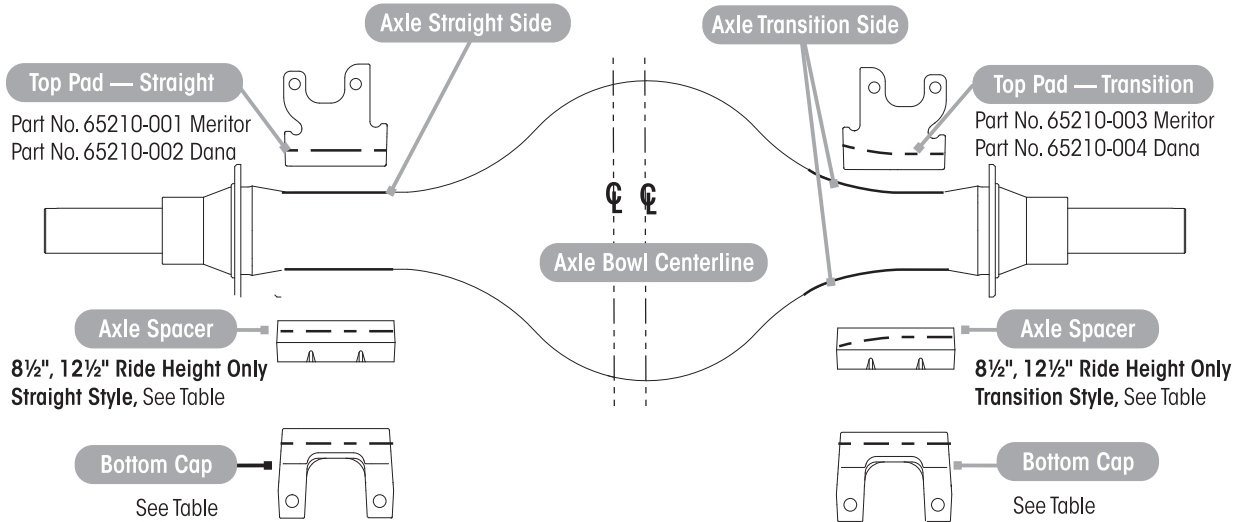
PRIMAAX 230/460/690 | FIREMAAX 240/480

Page 11	Key No. 11	Key No. 31	
PINION ANGLE	10" RIDE HEIGHT BOTTOM CAP PART NO.	8½" and 10" RIDE HEIGHT LONGITUDINAL TORQUE ROD ASSEMBLY PART NO.	
		LEFT FRONT	RIGHT FRONT
2.5	60556-025	60827-605A	60827-605B
3.0	60556-030		
3.5	60556-035		
4.0	60556-040		
4.5	60556-045		
5.0	60556-050		
5.5	60556-055		
6.0	60556-060		
6.5	60556-065		
7.0	60556-110	64717-620A	64717-620B
7.5	60556-115		
8.0	60556-120		
8.5	60556-125		
9.0	60556-130		
9.5	60556-135		
10.0	60556-100		
10.5	60556-105		
11.0	60556-110	60827-645A	60827-645B
11.5	60556-115		
12.0	60556-120		
12.5	60556-125		
13.0	60556-130		
13.5	60556-135		
14.0	60556-140		
14.5	60556-145		



■ Bottom Cap / Axle Spacer

PRIMAAX EX 262/522/782 | FIREMAAX EX 272/542 • PRIMAAX 260/520/780 | FIREMAAX 270/540



Pages 15 & 17
Key No. 11

BOTTOM CAP PART NUMBER

Axle Manufacturer	Beam Centers	TANDEM						SINGLE		
		Straight Side		Transition Side				Straight Side	Transition Side	
		8 1/2", 10", 12 1/2" Ride Height		8 1/2", 12 1/2" Ride Height		10" Ride Height		8 1/2", 10", 12 1/2" Ride Height	8 1/2", 12 1/2" Ride Height	10" Ride Height
		FRONT	REAR	FRONT	REAR	FRONT	REAR			
MERITOR	40.0"					65208-106	65208-109	65208-101	65208-101	65208-105
	40.5"	65208-101	65208-103	65208-101	65208-103	67913-006	67913-009			67913-005
	40.8"					67913-106	67913-109			67913-105
DANA	40.0"					65208-108	65208-111	See Page 3	See Page 3	
	40.5"	65208-102	65208-104	65208-102	65208-104	67913-008	67913-011			
	40.8"					67913-108	67913-111			

Pages 15 & 17
Key No. 12

AXLE SPACER PART NUMBER

Axle Manufacturer	Beam Centers	8 1/2", 12 1/2" Ride Height		8 1/2", 12 1/2" Ride Height		10" Ride Height		8 1/2", 12 1/2" Ride Height	8 1/2", 12 1/2" Ride Height	10" Ride Height
		FRONT	REAR	FRONT	REAR	FRONT	REAR			
MERITOR	40.0"	65276-000		65277-000		Not equipped		65276-000	65277-000	Not equipped
	40.5"	67973-003		67973-004						
	40.8"	67973-103		67973-104						
DANA	40.0"	65274-000		65275-000		Not equipped		65139-003	65139-003	Not equipped
	40.5"	67973-001		67973-002						
	40.8"	67973-101		67973-102						



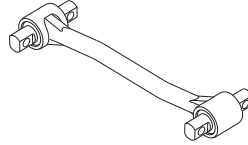
■ Longitudinal Torque Rod Assembly

PRIMAAX EX 262/522/782 | FIREMAAX EX 272/542 • PRIMAAX 260/520/780 | FIREMAAX 270/540

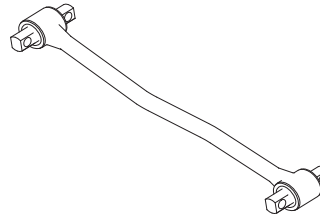
LONGITUDINAL TORQUE ROD ASSEMBLY

- **Ride Height 8½", 10"**
See Table below
- **All Other Ride Heights**
See Specific Parts List

PRIMAAX EX 262/522/782
FIREMAAX EX 272/542



PRIMAAX 260/520/780
FIREMAAX 270/540



Page 15 Key No. 30	PRIMAAX EX 262/522/782 FIREMAAX EX 272/542	
PINION ANGLE	LONGITUDINAL TORQUE ROD ASSEMBLY PART NO.	
	LEFT	RIGHT
1.0-2.0	*65302-455A	*65302-455B
2.5-3.0	*65302-470A	*65302-470B
3.5-4.0	*65302-475A	*65302-475B
9.0-9.5	*65302-510A	*65302-510B
10.0-10.5	*65302-515A	*65302-515B
11.0-11.5	*65302-520A	*65302-520B
* Torque rod bushings are non-serviceable, replacement requires complete torque rod assembly with bushings.		

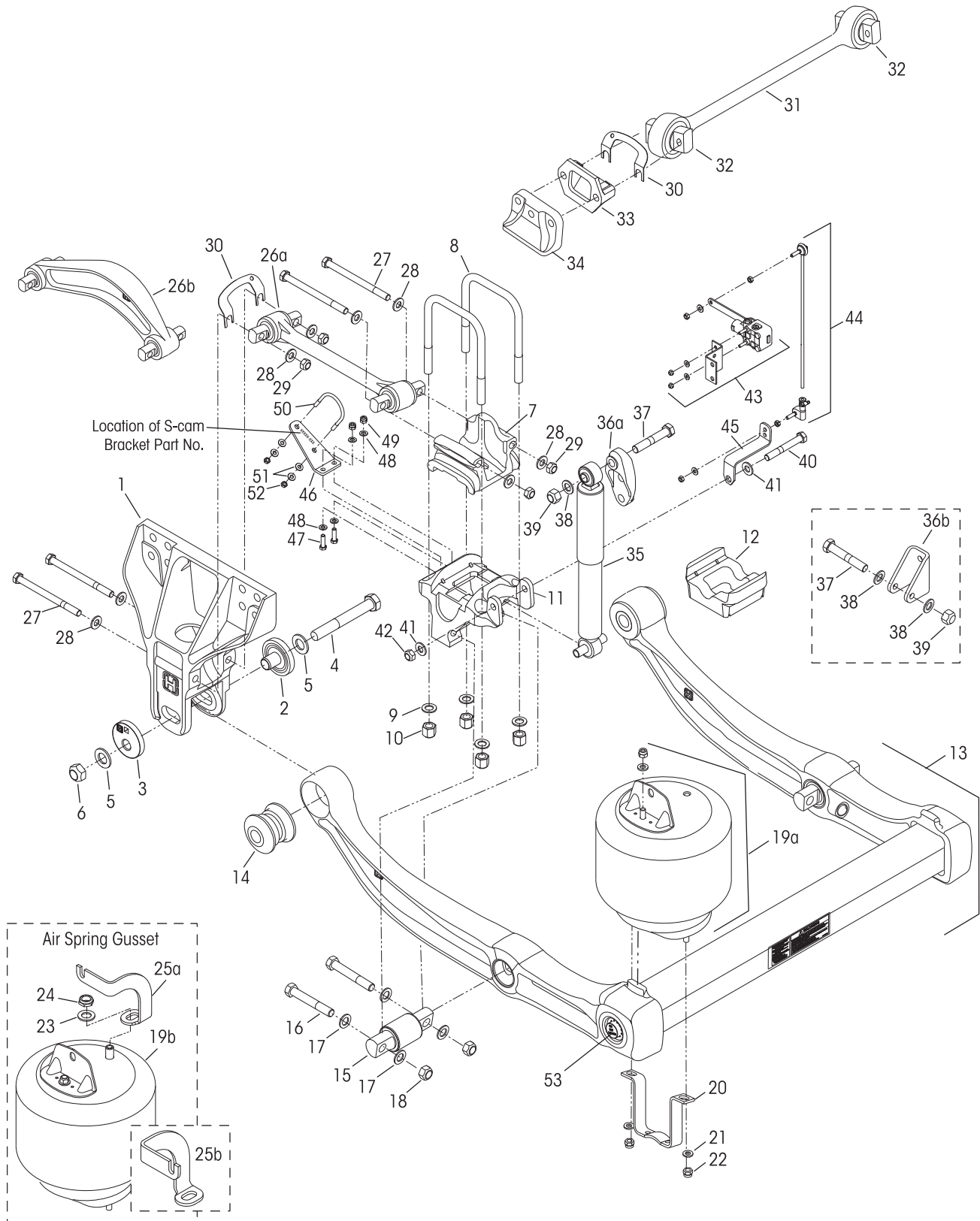
Page 17 Key No. 33	PRIMAAX 260/520/780 FIREMAAX 270/540	
PINION ANGLE	LONGITUDINAL TORQUE ROD ASSEMBLY PART NO.	
	LEFT	RIGHT
2.0-3.5	66359-650A	66359-650B
4.0-5.5	66359-660A	66359-660B
*2.0-3.5	66359-670A	66359-670B
10.0-10.5	66359-585A	66359-585B
11.0-11.5	66359-590A	66359-590B
12.0-12.5	66359-595A	66359-595B
*11.0-11.5	66359-600A	66359-600B
* Pierce		

NOTES

- * Quantities specified are shown for tandem suspension. Adjust quantities for single or tridem suspensions. Quantities of service kit components may vary from amount shown in lists.
- ** Transverse Rods are mandatory for the PRIMAAX EX / FIREMAAX EX • PRIMAAX / FIREMAAX suspensions regardless of axle spacing. See Literature No. 59310-004 for more information.
- *** No longer available for service, see Replacement Guide on Page 18. For more information, refer to Hendrickson Technical Bulletin Literature No. SEU-0229 or contact Hendrickson Tech Services.
- **** Item included in assembly / kit only, part not sold separately.



■ 8½" – 10" Ride Height

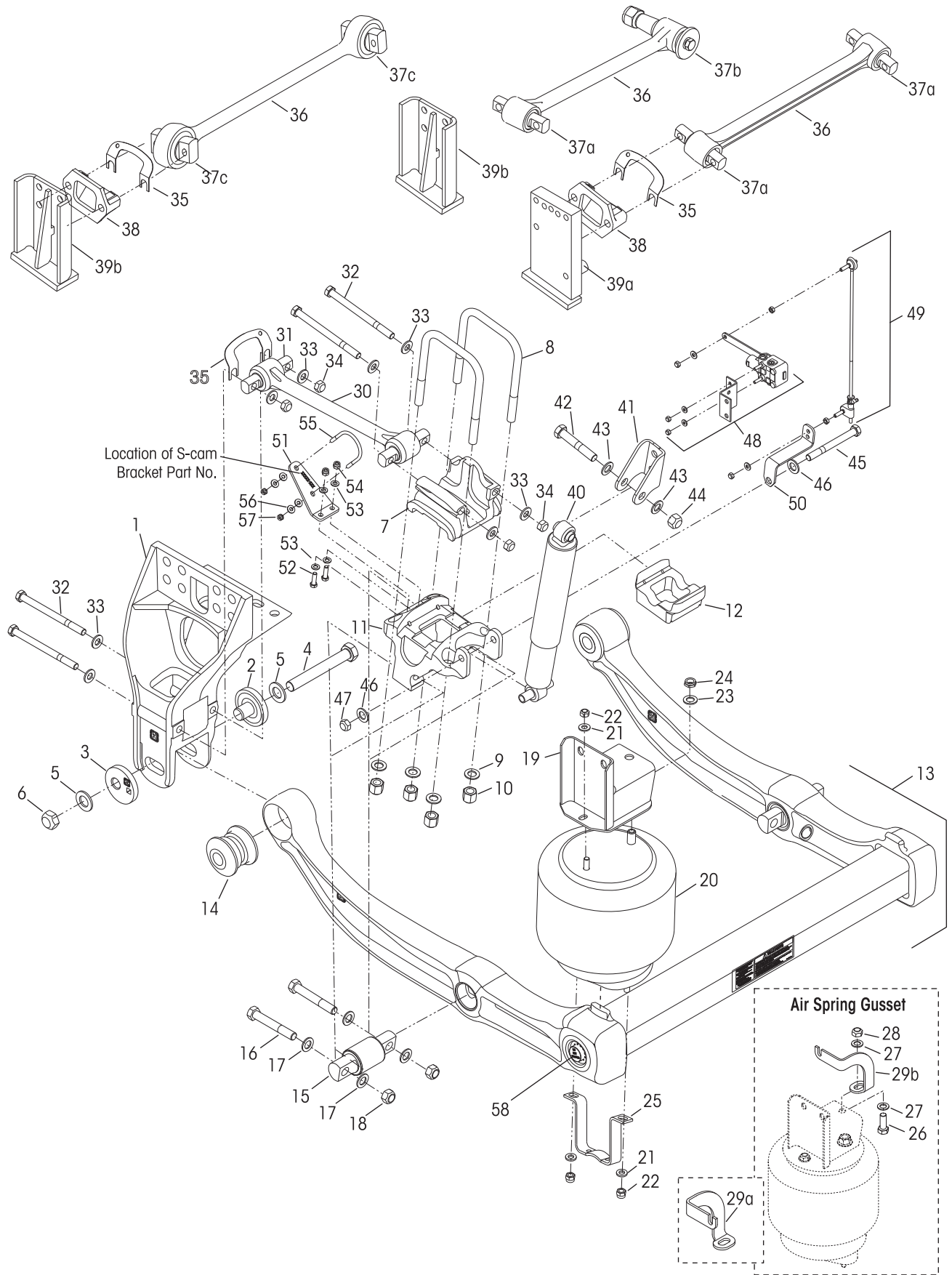




KEY NO.	PART NO.	DESCRIPTION	*NO.REQ.	KEY NO.	PART NO.	DESCRIPTION	*NO.REQ.
1	67706-000	EX Frame Hanger	4	19		Air Spring Assembly,	4
	60632-020	QUIK-ALIGN Pivot Bushing Service Kit, AXLE Set , Includes Key Nos. 2-6, 14 <i>Replaces 60632-008</i>		a	67043-002L	Includes Upper Frame Bracket and Fasteners for PRIMAAX EX	
	60632-021	QUIK-ALIGN Collar Service Kit, Axle Set , Includes Key Nos. 2-6, <i>Replaces 60632-012</i>		b	67392-002	for FIREMAAX EX	
	60632-019	QUIK-ALIGN Collar Service Kit, One Wheel End , Includes Key Nos. 2-6, <i>Replaces 60632-006</i>		20	60911-002	Lower Air Spring Mounting Bracket	4
	60632-018	QUIK-ALIGN Pivot Bolt Service Kit, One Wheel End , Includes Key Nos. 4-6 <i>Replaces 60632-005</i>		21	22962-014	½" Flat Washer	8
2	64633-000	QUIK-ALIGN Concentric Collar	4	22	17700-010	½"-13 UNC Locknut	8
3	64632-000	QUIK-ALIGN Eccentric Collar	4	23	22962-001	¾" Flat Washer	4
4	68217-000	1.0"-14 UNF-2A H-Coat 7.5" Hex Bolt	4	24	17700-031	¾"-16 UNF Locknut	4
5	68232-000	1.0" H-Coat Flat Washer,	8	25a	59479-003	Air Spring Gusset (if equipped)	2
6	68218-000	1.0"-14 UNF-2B H-Coat Locknut	4	b	59479-004	Air Spring Gusset (if equipped)	2
7	65289-000	Top Pad	4	26		Longitudinal Torque Rod Assembly	1
	48718-129	U-bolt Service Kit, One Wheel End , Includes Key Nos. 8a-10		a, b		See table on Page 3	
	48718-125	Includes Key Nos. 8b-10			49176-032	Longitudinal Torque Rod Bolt Service Kit, One Torque Rod , Includes Key Nos. 27-29	
8		¾" Square U-bolt	8	27	32043-016	⅝"-11 UNC-2B 8.0" Bolt	16
a	59367-013	8½" Ride Height		28	22962-004	⅝" Flat Washer	32
b	59367-004	10" Ride Height		29	47764-000	⅝"-11 UNC-2A Locknut	16
9	22962-001	¾" Flat Washer	16	30	49689-000	Shim (As Required)	
10	49685-000	¾"-16 UNF U-bolt Locknut	16	31	72000-XXXX	**ULTRA ROD® PLUS™ Transverse Torque Rod Assembly, Includes Key No. 32, Specify length in mm	2
11		Bottom Cap - Front and Rear (Casting No. 60272-000), See table on Page 3	4	32	64400-002L	Bushing - Straddle Bar Pin (⅝" Holes)	4
12	65139-003	Axle Spacer, 8½" Ride Height	4	33	22186-000	Transverse Torque Rod Frame Bracket	2
13		U-beam Assembly, Includes Key Nos. 14-15	2	34		Axle Stop, Frame Mounted	4
		• Front			60593-000	All (Except 8½" Ride Height)	
	67249-004	34.0" Frame Width			60593-001	8½" Ride Height	4
	67249-012	34.3" Frame Width		35	60657-003	Shock Absorber	4
	67249-010	34.5" Frame Width		36		Upper Shock Frame Bracket	4
	67249-024	34.8" Frame Width		a	67463-002	Standard	
	67249-018	35.0" Frame Width		b	59423-001	FIREMAAX	
		• Rear			50754-030	Single Shock Fastener Service Kit , Includes Key Nos. 37-42	
	67249-003	34.0" Frame Width		37	50764-010	¾"-10 UNC 4.25" Upper Shock Bolt	4
	67249-011	34.3" Frame Width		38	22962-001	¾" Flat Washer	4
	67249-009	34.5" Frame Width		39	49842-000	¾"-10 UNC Locknut	4
	67249-023	34.8" Frame Width		40	32043-017	⅝"-11 UNC 6.0" Lower Shock Bolt	4
	67249-017	35.0" Frame Width		41	22962-004	⅝" Flat Washer	8
14	58648-000	QUIK-ALIGN Pivot Bushing	4	42	47764-000	⅝"-11 UNC-2B Locknut	4
	34013-107	Single D-Pin Bushing Service Kit , Includes Key Nos. 15, 16a, 17-18			58525-019	Height Control Valve Assembly Service Kit , Includes Key Nos. 43-45	
	34013-116	Includes Key Nos. 15, 16b, 17-18		43	57977-000	Height Control Valve Assembly	1
	34013-117	Includes Key Nos. 15, 16c, 17-18		44	58994-005	HCV Linkage Assembly,	1
15	60383-000	D-Pin Bushing	4	45	60921-000	Height Control Valve Linkage Bracket	1
	56659-009	D-Pin Fastener Service Kit, Axle Set , Includes Key Nos. 16a, 17-18		46	64508-XXX	S-cam Support Bracket	4
	56659-013	Includes Key Nos. 16b, 17-18				See Part No. on component	
	56659-012	Includes Key Nos. 16c, 17-18		47	58035-004	⅜"-16 UNC 1.25" Hex Bolt	8
16		¾"-16 UNF Bolt	8	48	22962-015	⅜" Hardened Washer	16
a	21867-036	Length 5.0"		49	17700-006	⅜"-16 UNC Locknut	8
b	21867-026	Length 5.5"		50	64202-000	⅝" S-Cam U-bolt	4
c	21867-043	Length 4.75"		51	22962-029	⅝" Hardened Washer	16
17	22962-001	¾" Flat Washer	16	52	59016-000	⅝"-18 UNC Locknut	8
18	30191-000	¾"-16 UNF Locknut	8	53	69565-001	U-beam Assembly Enhancement Aftermarket Service Kit, Axle Set , See Page 19 for contents	
	60961-230	Single Air Spring Service Kit , for PRIMAAX EX, Includes Key Nos. 19a, 20-22					
	60961-229	for FIREMAAX EX, Includes Key Nos. 19b, 20-24					



■ 12½" – 14¾" – 15½" Ride Height



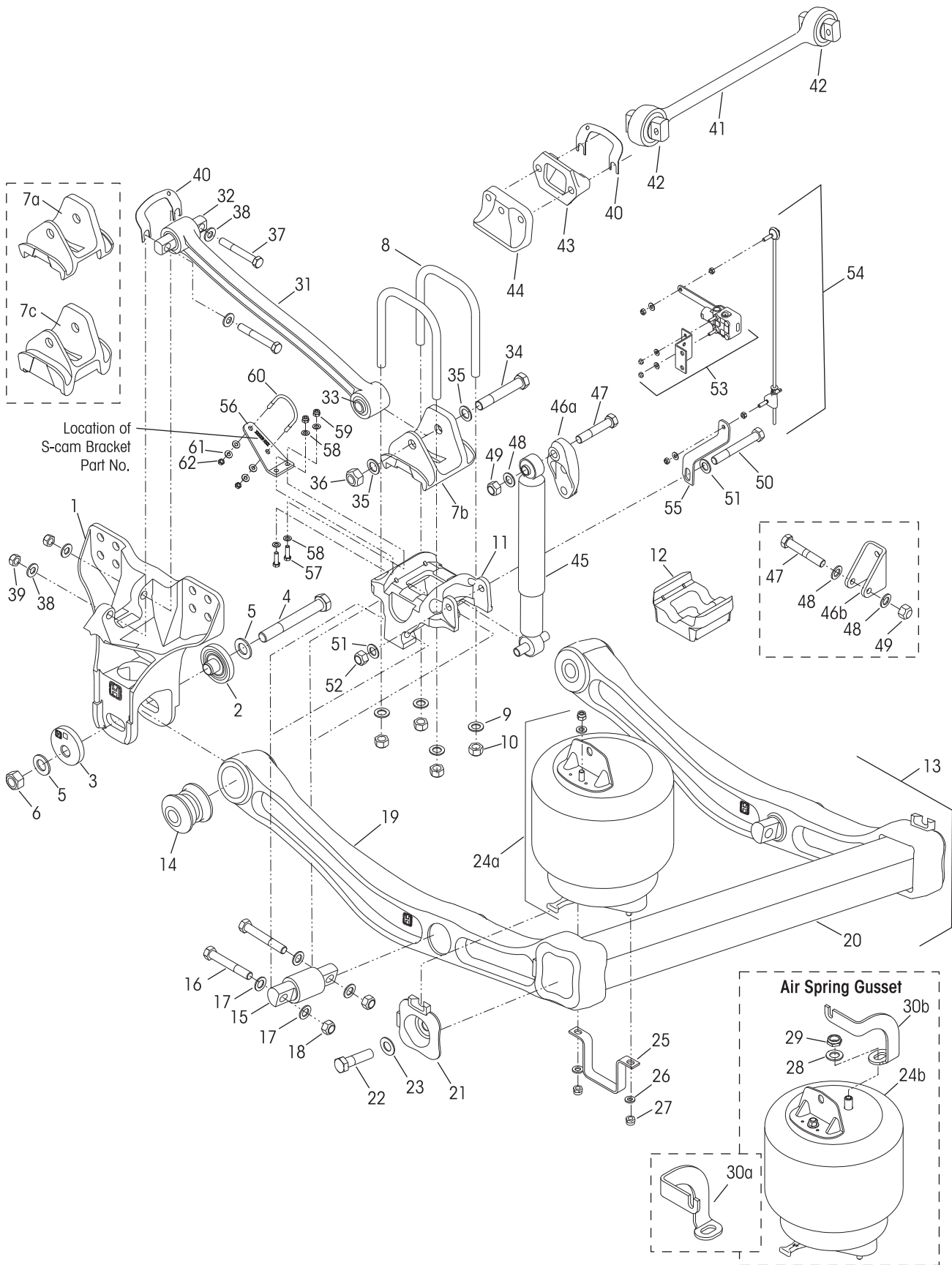


KEY NO.	PART NO.	DESCRIPTION	*NO.REQ.
1		EX Frame Hanger	4
	67299-001	LH	
	67299-002	RH	
	60632-020	QUIK-ALIGN Pivot Bushing Service Kit, AXLE Set , Includes Key Nos. 2-6, 14 <i>Replaces 60632-008</i>	
	60632-021	QUIK-ALIGN Collar Service Kit, Axle Set , Includes Key Nos. 2-6, <i>Replaces 60632-012</i>	
	60632-019	QUIK-ALIGN Collar Service Kit, One Wheel End , Includes Key Nos. 2-6, <i>Replaces 60632-006</i>	
	60632-018	QUIK-ALIGN Pivot Bolt Service Kit, One Wheel End , Includes Key Nos. 4-6 <i>Replaces 60632-005</i>	
2	64633-000	Support Beam QUIK-ALIGN Concentric Collar	4
3	64632-000	Support Beam QUIK-ALIGN Eccentric Collar	4
4	68217-000	1.0"-14 UNF-2A H-Coat 7.5" Hex Bolt	4
5	68232-000	1.0" H-Coat Flat Washer	8
6	68218-000	1.0"-14 UNF-2B H-Coat Locknut	4
7	65289-000	Top Pad	4
		U-bolt Service Kit, One Wheel End , Includes Key Nos. 8a-10	
	48718-129	Includes Key Nos. 8a-10	
	48718-130	Includes Key Nos. 8b-10	
8		3/4" Square U-bolt	8
a	59367-013	14 ³ / ₈ "-15 ¹ / ₂ " Ride Height (if not equipped with Key No. 12)	
b	59367-014	12 ¹ / ₂ " Ride Height (if equipped with Key No. 12)	
9	22962-001	3/4" Flat Washer	16
10	49685-000	3/4"-16 UNF U-bolt Locknut	16
11	60556-	Bottom Cap, See Page 3 for stamped part number location	4
12	65139-003	Axle Spacer - 12 ¹ / ₂ " Ride Ht.	4
13		U-beam Assembly, Includes Key Nos. 14-15	2
		• Front	
	67249-004	34.0" Frame Width	
	67249-012	34.3" Frame Width	
	67249-010	34.5" Frame Width	
	67249-024	34.8" Frame Width	
	67249-018	35.0" Frame Width	
		• Rear	
	67249-003	34.0" Frame Width	
	67249-011	34.3" Frame Width	
	67249-009	34.5" Frame Width	
	67249-023	34.8" Frame Width	
	67249-017	35.0" Frame Width	
14	58648-000	QUIK-ALIGN Pivot Bushing	4
		Single D-Pin Bushing Service Kit , Includes Key Nos. 15, 16a, 17-18	
	34013-107	Includes Key Nos. 15, 16a, 17-18	
	34013-116	Includes Key Nos. 15, 16b, 17-18	
	34013-117	Includes Key Nos. 15, 16c, 17-18	
15	60383-000	D-Pin Bushing	4
		D-Pin Fastener Service Kit, Axle Set , Includes Key Nos. 16a, 17-18	
	56659-009	Includes Key Nos. 16a, 17-18	
	56659-013	Includes Key Nos. 16b, 17-18	
	56659-012	Includes Key Nos. 16c, 17-18	
16		3/4"-16 UNF Bolt	8
a	21867-036	Length 5.0"	
b	21867-026	Length 5.5"	
c	21867-043	Length 4.75"	
17	22962-001	3/4" Flat Washer	16
18	30191-000	3/4"-16 UNF Locknut	8
19		Upper Air Spring Bracket Assembly	4
	65031-003	14 ³ / ₈ " Ride Height	
	65031-004	15 ¹ / ₂ " Ride Height	

KEY NO.	PART NO.	DESCRIPTION	*NO.REQ.
		Single Air Spring Service Kit , for PRIMAAX EX, Includes Key Nos. 20-25 for FIREMAAX EX, Includes Key Nos. 20-28	
20	67391-002	Air Spring	4
21	22962-014	1/2" Flat Washer	12
22	17700-010	1/2"-13 UNC Locknut	12
23	22962-001	3/4" Flat Washer	4
24	17700-031	3/4"-16 UNF Locknut	4
25	60911-002	Lower Air Spring Mounting Bracket	4
26	50764-006	3/4"-10 UNC 2.0" Bolt	4
27	22962-001	3/4" Flat Washer	8
28	49842-000	3/4"-10 UNC Locknut	4
29a	59479-003	Air Spring Gusset (if equipped)	2
b	59479-004	Air Spring Gusset (if equipped)	2
30	67428-XXX	Longitudinal Torque Rod Assembly, Includes Bushings, Specify length in mm	2
31	47691-000L	Torque Rod Bushing - Bar Pin	8
	49176-032	Longitudinal Torque Rod Bolt Service Kit, One Torque Rod , Includes Key Nos. 32-34	
32	32043-016	5/8"-11 UNC 8.0" Bolt	16
33	22962-004	5/8" Flat Washer	32
34	47764-000	5/8"-11 UNC Locknut	16
35	49689-000	Shim (As Required)	
36		**Transverse Torque Rod Assembly, Includes Key No. 37	2
	62250-520	Indiana Phoenix Vehicles	
	62250-515	Terex Advance Mixer Vehicles	
	62000-620	Oshkosh Truck Vehicles	
37a	47691-000L	Straddle Torque Rod Bushing	4
b	64809-000	Taper Pin Bushing	4
c	64400-002L	Straddle Torque Rod Bushing	4
38	22186-000	Transverse Torque Rod Frame Bracket	2
39		Axle Stop, Frame Mounted	4
a	64696-002	RR-RH - Oshkosh	
a	64696-003	FWD-LH - Oshkosh	
b	64692-001	RR-LH - Indiana Phoenix	
b	64692-004	FWD-RH - Oshkosh	
b	64692-006	FWD-RH - Indiana Phoenix	
40	60665-011	Shock Absorber	4
41	59423-001	Upper Shock Frame Bracket	4
	50754-030	Single Shock Fastener Service Kit , Includes Key Nos. 42-47	
42	50764-010	3/4"-10 UNC 4.25" Upper Shock Bolt	4
43	22962-001	3/4" Flat Washer	8
44	49842-000	3/4"-10 UNC Locknut	4
45	32043-017	5/8"-11 UNC 6.0" Lower Shock Bolt	4
46	22962-004	5/8" Flat Washer	8
47	47764-000	5/8"-11 UNC Locknut	4
	58525-020	Height Control Valve Assembly Service Kit , Includes Key Nos. 48-50	
48	57977-000	Height Control Valve Assembly	2
49	58994-015	HCV Linkage Assembly	2
50	60921-000	Height Control Valve Linkage Bracket	2
51	64508-XXX	S-cam Support Bracket See Part No. on component	4
52	58035-004	3/8"-16 UNC 1.25" Hex Bolt	8
53	22962-015	3/8" Hardened Washer	16
54	17700-006	3/8"-16 UNC Locknut	8
55	64202-000	5/16" S-Cam U-bolt	4
56	22962-029	5/16" Hardened Washer	16
57	59016-000	5/16"-18 UNC Locknut	8
58	69565-001	U-beam Assembly Enhancement Aftermarket Service Kit, Axle Set , See Page 19 for contents	



■ 8½" – 10" Ride Height

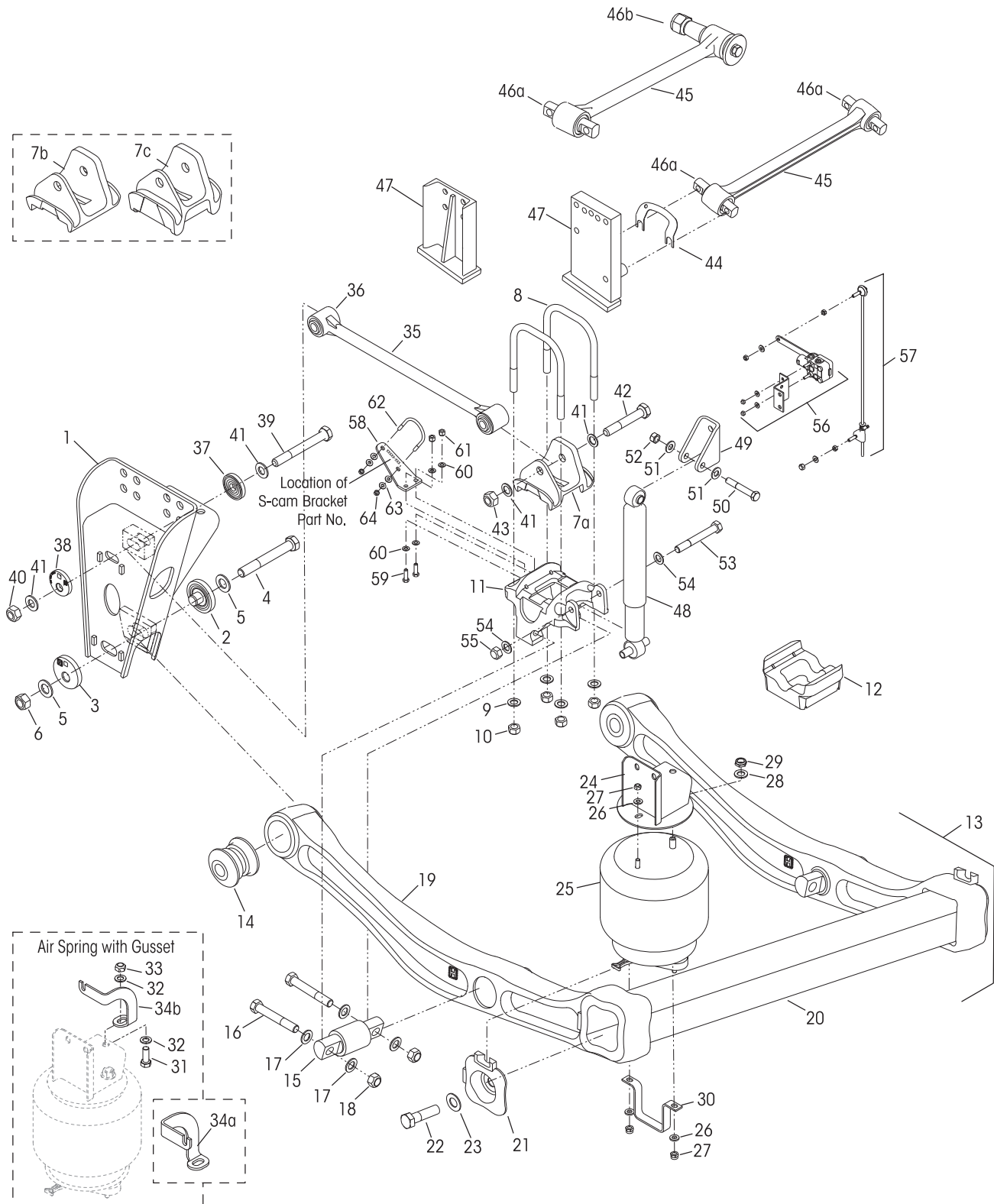




KEY NO.	PART NO.	DESCRIPTION	*NO.REQ.	KEY NO.	PART NO.	DESCRIPTION	*NO.REQ.
1	60821-001	Frame Hanger	4	22	50104-003	7/8"-9 UNC 3.5" Hex Bolt	4
	60632-020	QUIK-ALIGN Pivot Bushing Service Kit, AXLE Set , Includes Key Nos. 2-6, 14 <i>Replaces 60632-008</i>		23	22962-034	7/8" H-Coat Flat Washer	4
	60632-021	QUIK-ALIGN Collar Service Kit, Axle Set , Includes Key Nos. 2-6, <i>Replaces 60632-012</i>			60961-062	Single Air Spring Service Kit , for PRIMAAX, Includes Key Nos. 24a, 25-27	
	60632-019	QUIK-ALIGN Collar Service Kit, One Wheel End , Includes Key Nos. 2-6, <i>Replaces 60632-006</i>			60961-126	for FIREMAAX, Includes Key Nos. 24b, 25-29	
	60632-018	QUIK-ALIGN Pivot Bolt Service Kit, One Wheel End , Includes Key Nos. 4-6, <i>Replaces 60632-005</i>		24		Air Spring Assembly, Includes Upper Frame Bracket and Fasteners	4
2	64633-000	QUIK-ALIGN Concentric Collar	4	a	60271-002L	PRIMAAX	
3	64632-000	QUIK-ALIGN Eccentric Collar	4	b	65183-002L	FIREMAAX	
4	68217-000	1.0"-14 UNF-2A H-Coat 7.5" Hex Bolt <i>Replaces 64107-000</i>	4	25	60911-000	Lower Air Spring Mounting Bracket	4
5	68232-000	1.0" H-Coat Flat Washer, <i>Replaces 22962-035</i>	8	26	22962-014	1/2" Flat Washer	8
6	68218-000	1.0"-14 UNF-2B H-Coat Locknut, <i>Replaces 64108-000</i>	4	27	17700-010	1/2"-13 UNC Locknut	8
7 a	60877-000	Top Pad – Meritor Axle	4	28	22962-001	3/4" Flat Washer	4
b	60877-001	Top Pad – Dana Axle	4	29	17700-031	3/4"-16 UNF Locknut	4
c	65641-000	Top Pad – Disc Brake Applications	4	30a	59479-003	Air Spring Gusset (if equipped)	2
	48718-108	U-bolt Service Kit, One Wheel End , Includes Key Nos. 8a-10		b	59479-004	Air Spring Gusset (if equipped)	2
	48718-125	Includes Key Nos. 8b-10		31		Longitudinal Torque Rod Assembly, See table on Page 3, Includes Key Nos. 32-33	1
	48718-126	Includes Key Nos. 8c-10		32	69210-000H	Bushing - Straddle Bar Pin - 3/4" Holes	4
	48718-132	Includes Key Nos. 8d-10		33	47692-000L	Torque Rod Bushing - Thru Holes	4
8		3/4" Square U-bolt	8		58821-012	Longitudinal Torque Rod Rear Bolt Service Kit, One Side , Includes Key Nos. 34-36	
a	59367-002	10" Ride Ht, use with Key No. 7a, 7b		34	30418-009	7/8"-14 UNF-2A 5.5" Hex Bolt	4
b	59367-004	8 1/2" Ride Ht, use with Key No. 7a, 7b, 12		35	22962-034	7/8" H-Coat Flat Washer	8
c	59367-009	10" Ride Ht, use with Key No. 7c		36	29248-000	7/8"-14 UNF-2B Locknut	4
d	59367-012	8 1/2" Ride Ht, use with Key No. 7c, 12		37	21867-018	3/4"-16 UNF-2A 3.75" Hex Bolt	8
9	22962-001	3/4" Flat Washer	16	38	22962-001	3/4" Flat Washer	16
10	49685-000	3/4"-16 UNF U-bolt Locknut	16	39	30191-000	3/4"-16 UNF-2B Locknut	8
11		Bottom Cap - Front and Rear, See table on Page 3	4	40	49689-000	Shim (As Required)	
12	65139-003	Axle Spacer - 8 1/2" Ride Ht.	4	41	72000-XXXS	**ULTRA ROD® PLUS™ Transverse Torque Rod Assembly, Includes Key No. 42, Specify length in mm	2
13		***U-beam Assembly, Includes Key Nos. 14-15 <i>(Replaces previous U-beam assembly, support beam and cross tube assembly, see replacement guide on Page 18)</i>	2	42	64400-002L	Bushing - Straddle Bar Pin (3/8" Holes)	4
14	58648-000	QUIK-ALIGN Pivot Bushing	4	43	22186-000	Transverse Torque Rod Frame Bracket	2
	34013-107	Single D-pin Bushing Service Kit , Includes Key Nos. 15, 16a, 17-18		44	60593-000	Axle Stop, Frame Mounted	4
	34013-116	Includes Key Nos. 15, 16b, 17-18		45		Shock Absorber	4
	34013-117	Includes Key Nos. 15, 16c, 17-18			60657-003	Standard	
15	60383-000	D-Pin Bushing	4		60665-014	FIREMAAX Disc Brake Applications	
	56659-009	D-Pin Fastener Service Kit, Axle Set , Includes Key Nos. 16a, 17-18			60665-018	FIREMAAX Drum Brake Applications	
	56659-013	Includes Key Nos. 16b, 17-18		46		Upper Shock Frame Bracket	4
	56659-012	Includes Key Nos. 16c, 17-18		a	67463-002	Standard, <i>Replaces 65000-002</i>	
16		3/4"-16 UNF Bolt	8	b	59423-001	FIREMAAX	
a	21867-036	Length 5.0"			50754-030	Single Shock Fastener Service Kit , Includes Key Nos. 47-52	
b	21867-026	Length 5.5"		47	50764-010	3/4"-10 UNC 4.25" Upper Shock Bolt	4
c	21867-043	Length 4.75"		48	22962-001	3/4" Flat Washer	4
17	22962-001	3/4" Flat Washer	16	49	49842-000	3/4"-10 UNC Locknut	4
18	30191-000	3/4"-16 UNF Locknut	8	50	32043-017	3/8"-11 UNC 6.0" Lower Shock Bolt	4
19		***Support Beam Assembly (<i>66435-xxx, see replacement guide on Page 18</i>)		51	22962-004	3/8" Flat Washer	8
20		***Cross Tube (<i>60912-001, see replacement guide on Page 18</i>)		52	47764-000	3/8"-11 UNC-2B Locknut	4
	46772-001	End Cap and Fastener Kit, Axle Set , Includes Key Nos. 21-23			58525-019	Height Control Valve Assembly Service Kit , Includes Key Nos. 53-55	
21	60822-000	End Cap	4	53	57977-000	HCV Assembly	1
				54	58994-005	HCV Linkage Assembly	1
				55	60921-000	Height Control Valve Linkage Bracket	1
				56	64508-XXX	S-cam Support Bracket See Part No. on component	4
				57	58035-004	3/8"-16 UNC 1.25" Hex Bolt	8
				58	22962-015	3/8" Hardened Washer	16
				59	17700-006	3/8"-16 UNC Locknut	8
				60	64202-000	5/16" S-Cam U-bolt	4
				61	22962-029	5/16" Hardened Washer	16
				62	59016-000	5/16"-18 UNC Locknut	8



■ 12½" – 14¾" – 15½" Ride Height

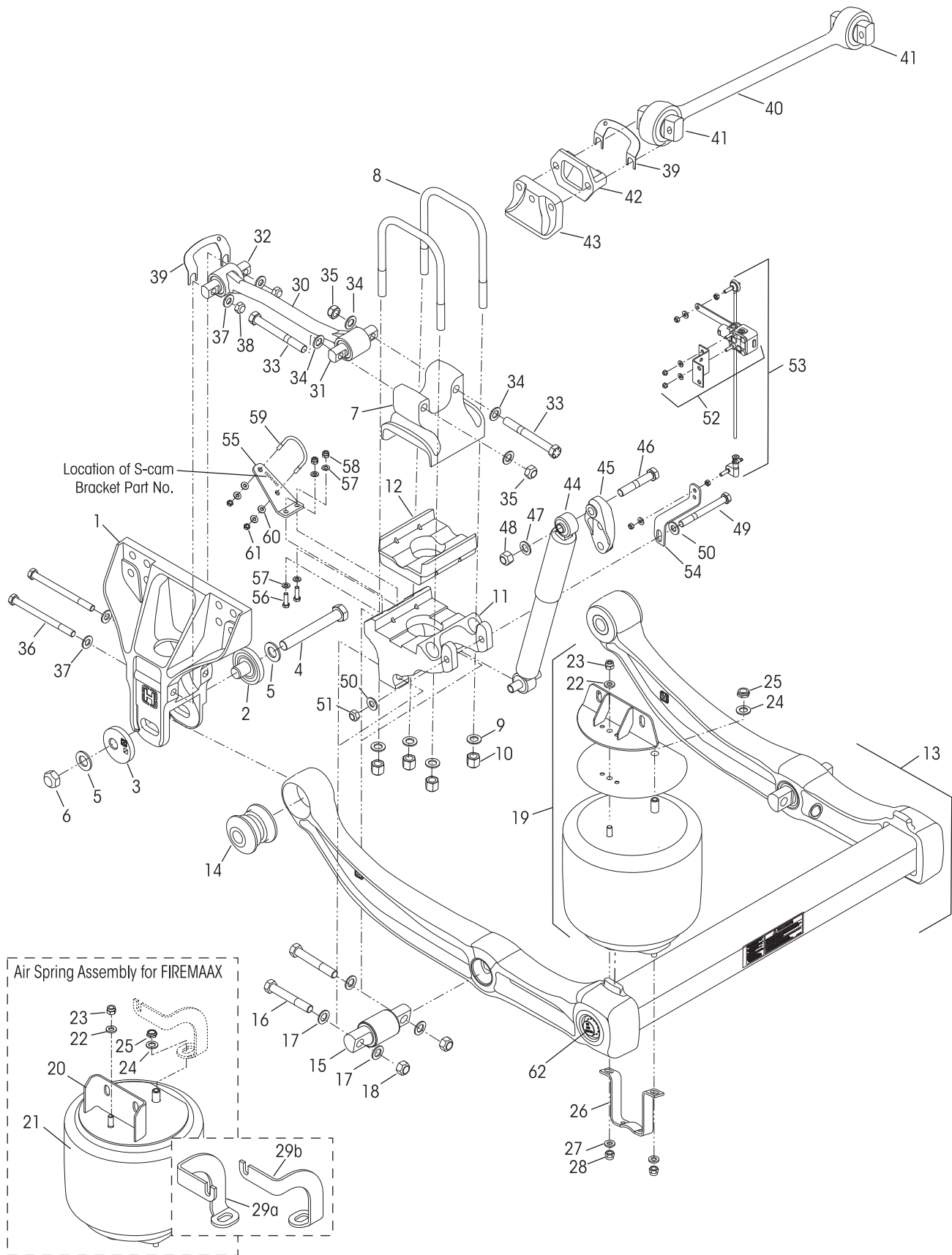




KEY NO.	PART NO.	DESCRIPTION	*NO.REQ.	KEY NO.	PART NO.	DESCRIPTION	*NO.REQ.
1		Frame Hanger	4			Single Air Spring Service Kit,	
	64451-001	LH - Terex/IPI			60961-124	PRIMAAX, Includes Key Nos. 25-30	
	64451-002	RH - Terex/IPI			60961-125	FIREMAAX, Includes Key Nos.25-33	
	64451-003	LH - Oshkosh, <i>Replaces 64851-001</i>		25	65032-002	Air Spring	4
	64451-004	RH - Oshkosh, <i>Replaces 64851-002</i>		26	22962-014	1/2" Flat Washer	12
	60632-022	QUIK-ALIGN Pivot Bushing & Torque Rod Service Kit, AXLE Set, <i>Replaces 60632-009</i> Includes Key Nos. 2-6, 14, 39-43		27	17700-010	1/2"-13 UNC Locknut	12
	60632-023	QUIK-ALIGN Collar Service Kit, One Wheel End, <i>Replaces 60632-007, Includes Key Nos. 2-6</i>		28	22962-001	3/4" Flat Washer	4
2	64600-000	Support Beam QUIK-ALIGN Concentric Collar	4	29	17700-031	3/4"-16 UNF Locknut	4
3	64632-000	Support Beam QUIK-ALIGN Eccentric Collar	4	30	60911-000	Lower Air Spring Mounting Bracket	4
4	68217-000	1.0"-14 UNF-2A H-Coat 7.5" Hex Bolt <i>Replaces 64107-000</i>	4	31	50764-006	3/4"-10 UNC 2.0" Bolt	4
5	68232-000	1.0" H-Coat Flat Washer, <i>Replaces 22962-035</i>	8	32	22962-001	3/4" Flat Washer	8
6	68218-000	1.0"-14 UNF-2B H-Coat Locknut, <i>Replaces 64108-000</i>	4	33	49842-000	3/4"-10 UNC Locknut	4
7 a	60877-000	Top Pad - Meritor Axle	4	34 a	59479-003	Air Spring Gusset (if equipped)	2
b	60877-001	Top Pad - Dana Axle	4	b	59479-004	Air Spring Gusset (if equipped)	2
c	65641-000	Top Pad - Disc Brake Applications	4	35		Longitudinal Torque Rod Assembly	2
	48718-108	U-bolt Service Kit, One Wheel End, Includes Key Nos. 8a-10			60641-640	Front, Includes Bushings	
	48718-125	Includes Key Nos. 8b-10			60641-660	Rear, Includes Bushings	
	48718-126	Includes Key Nos. 8c-10		36	47692-000L	Torque Rod Bushing - Thru Holes	8
	48718-132	Includes Key Nos. 8d-10			58821-011	Torque Rod QUIK-ALIGN Collar Bolt Service Kit, Per Wheel End, Includes Key Nos. 37-41	
8		3/4" Square U-bolt	8		58821-012	Longitudinal Torque Rod Rear Bolt Service Kit, One Side, Includes Key Nos. 41-43	
a	59367-002	143/8"-15 1/2" Ride Ht., For use with Key No.7a,7b		37	64343-000	Torque Rod QUIK-ALIGN Concentric Collar	4
b	59367-004	12 1/2" Ride Ht., For use with Key No.12		38	64345-000	Torque Rod QUIK-ALIGN Eccentric Collar	4
c	59367-009	143/8"-15 1/2" Ride Ht., For use with Key No.7c		39	58705-003	7/8"-9 UNC 7.5" Hex Bolt	4
d	59367-012	12 1/2" Ride Ht, For use with Key No.7c, 12		40	60266-000	7/8"-9 UNC H-coat Locknut	4
9	22962-001	3/4" Flat Washer	16	41	22962-034	7/8" H-coat Flat Washer	16
10	49685-000	3/4"-16 UNF U-bolt Locknut	16	42	30418-009	7/8"-14 UNF 5.5" Hex Bolt	4
11	60556-	Bottom Cap, See Page 3 for stamped part number location	4	43	29248-000	7/8"-14 UNF Locknut	4
12	65139-003	Axle Spacer - 12 1/2" Ride Height	4	44	49689-000	Shim (As Required)	
13		***U-beam Assembly, Includes Key Nos. 14-15 <i>(Replaces previous U-beam assembly, support beam and cross tube assembly, see replacement guide on Page 18)</i>	2	45		**Transverse Torque Rod Assembly, Includes Key No. 46	2
14	58648-000	QUIK-ALIGN Pivot Bushing	4		62250-520	Indiana Phoenix Vehicles	
	34013-107	Single D-Pin Bushing Service Kit, Includes Key Nos. 15, 16a, 17-18			62250-515	Terex Advance Mixer Vehicles	
	34013-116	Includes Key Nos. 15, 16b, 17-18			62000-620	Oshkosh Truck Vehicles	
	34013-117	Includes Key Nos. 15, 16c, 17-18		46 a	47691-000L	Straddle Torque Rod Bushing	4
15	60383-000	D-Pin Bushing	4	b	64809-000	Taper Pin Bushing	4
	56659-009	D-Pin Fastener Service Kit, Axle Set, Includes Key Nos. 16a, 17-18		47		Axle Stop, Frame Mounted	1
	56659-013	Includes Key Nos. 16b, 17-18			64692-001	RR-LH - Indiana Phoenix	
	56659-012	Includes Key Nos. 16c, 17-18			64696-002	RR-RH - Oshkosh	
16 a	21867-036	3/4"-16 UNF Bolt, 5.0"	8		64696-003	FWD-LH - Oshkosh	
b	21867-026	3/4"-16 UNF Bolt, 5.5"	8		64692-004	FWD-RH - Oshkosh	
c	21867-043	3/4"-16 UNF Bolt, 4.75"	8		64692-006	FWD-RH - Indiana Phoenix	
17	22962-001	3/4" Flat Washer	16	48	60665-011	Shock Absorber	4
18	30191-000	3/4"-16 UNF Locknut	8	49	59423-001	Upper Shock Frame Bracket	4
19		***Support Beam Assembly (66435-xxx, see replacement guide on Page 18)			50754-030	Single Shock Fastener Service Kit, Includes Key Nos. 50-55	
20		***Cross Tube (60912-xxx, see replacement guide on Page 18)		50	50764-010	3/4"-10 UNC 4.25" Upper Shock Bolt	4
	46772-001	End Cap and Fastener Kit, Axle Set, Includes Key Nos. 21-23		51	22962-001	3/4" Flat Washer	8
21	60822-000	End Cap	4	52	49842-000	3/4"-10 UNC Locknut	4
22	50104-003	7/8"-9 UNC 3.5" Hex Bolt	4	53	32043-017	5/8"-11 UNC 6.0" Lower Shock Bolt	4
23	22962-034	7/8" H-coat Flat Washer	4	54	22962-004	5/8" Flat Washer	8
24	65031-001	Upper Air Spring Bracket Ass'y - 14 3/8" Ride Ht.	4	55	47764-000	5/8"-11 UNC Locknut	4
	65031-002	Upper Air Spring Bracket Ass'y - 1 5 1/2" Ride Ht.	4		58525-020	Height Control Valve Assembly Service Kit, Includes Key Nos. 56-57	
				56	57977-000	Height Control Valve Assembly	1
				57	58994-015	Height Control Valve Linkage Assembly	1
				58	64508-XXX	S-cam Support Bracket, See Part No. on component	4
				59	58035-004	3/8"-16 UNC-- 1.25" Hex Bolt	8
				60	22962-015	3/8" Hardened Washer	16
				61	17700-006	3/8"-16 UNC Locknut	8
				62	64202-000	5/16" S-Cam U-bolt	4
				63	22962-029	5/16" Hardened Washer	16
				64	59016-000	5/16"-18 UNC Locknut	8



■ 8½" – 10" Ride Height

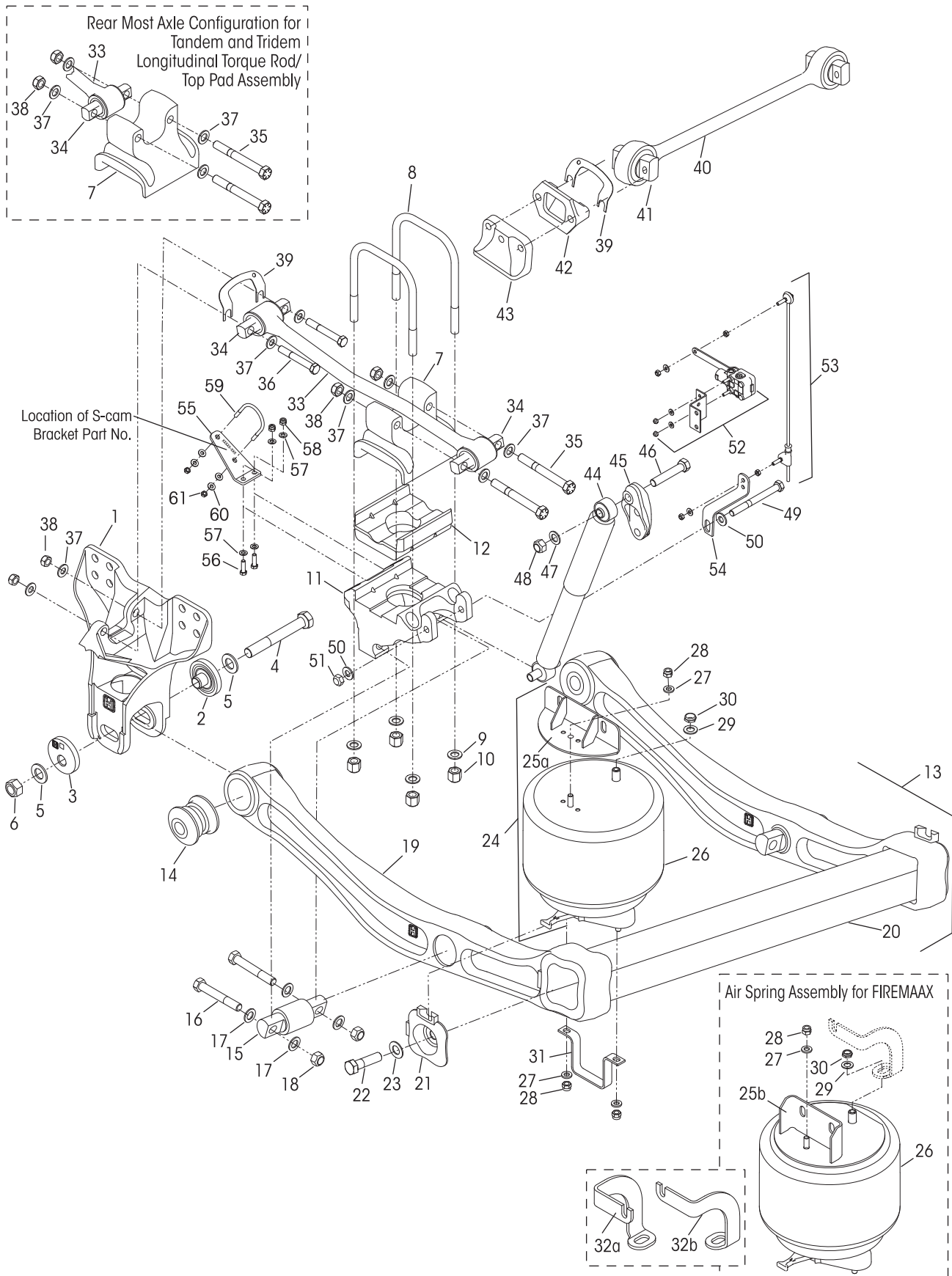




KEY NO.	PART NO.	DESCRIPTION	*NO.REQ.	KEY NO.	PART NO.	DESCRIPTION	*NO.REQ.
1	67706-000	EX Frame Hanger	4	21	67044-002	Air Spring	4
	60632-020	QUIK-ALIGN Pivot Bushing Service Kit, AXLE Set , Includes Key Nos. 2-6, 14 <i>Replaces 60632-008</i>		22	22962-014	1/2" Flat Washer	4
	60632-021	QUIK-ALIGN Collar Service Kit, Axle Set , Includes Key Nos. 2-6, <i>Replaces 60632-012</i>		23	17700-010	1/2"-13 UNC Locknut	4
	60632-019	QUIK-ALIGN Collar Service Kit, One Wheel End , Includes Key Nos. 2-6, <i>Replaces 60632-006</i>		24	22962-001	3/4" Flat Washer	4
	60632-018	QUIK-ALIGN Pivot Bolt Service Kit, One Wheel End , Includes Key Nos. 4-6 <i>Replaces 60632-005</i>		25	17700-031	3/4"-16 UNF Locknut	4
2	64633-000	QUIK-ALIGN Concentric Collar	4	26	60911-002	Lower Air Spring Mounting Bracket	4
3	64632-000	QUIK-ALIGN Eccentric Collar	4	27	22962-014	1/2" Flat Washer	8
4	68217-000	1.0"-14 UNF-2A H-Coat 7.5" Hex Bolt	4	28	17700-010	1/2"-13 UNC Locknut	8
5	68232-000	1.0" H-Coat Flat Washer	8	29a	59479-003	Air Spring Gusset (if equipped)	2
6	68218-000	1.0"-14 UNF-2B H-Coat Locknut,	4	b	59479-004	Air Spring Gusset (if equipped)	2
7		Top Pad, See illustration on Page 4	2	30		Longitudinal Torque Rod Assembly See table on page 5	
		U-bolt Service Kit, One Wheel End ,		31	69210-000H	Bushing - Straddle Bar Pin - 3/4" Holes	4
	48718-120	10" Ride Height, Includes Key Nos. 8a-8b, 9-10		32	47691-000L	Bushing - Straddle Bar Pin - 5/8" Holes	4
	48718-118	8 1/2" Ride Height, Includes Key Nos. 8c-8d, 9-10				Longitudinal Torque Rod Fastener Service Kit , Includes Key Nos. 33-38	
8		3/4" Square U-bolt	4	33	21867-007	3/4"-16 UNF 6.0" Hex Bolt	8
a	59367-007	Outboard 10" Ride Height		34	22962-001	3/4" Flat Washer	16
b	59367-008	Inboard 10" Ride Height		35	30191-000	3/4"-16 UNF Locknut	8
c	59367-010	Outboard 8 1/2" Ride Height		36	32043-016	5/8"-11 UNF 8.0" Hex Bolt	8
d	59367-011	Inboard 8 1/2" Ride Height		37	22962-004	5/8" Flat Washer	16
9	22962-001	3/4" Flat Washer	16	38	47764-000	5/8"-11 UNC Locknut	8
10	49685-000	3/4"-16 UNF U-bolt Locknut	16	39	49689-000	Shim (As Required)	
11		Bottom Cap - Front and Rear See table on Page 4	4	40	72000-xxxS	**ULTRA ROD® PLUS™ Transverse Torque Rod Assembly, Includes Key No. 41, Specify length in mm	2
12		Axle Spacer - Front and Rear See table on Page 4		41	64400-002L	Bushing - Straddle Bar Pin - 5/8" Holes	4
13		U-beam Assembly, Includes Key Nos. 14-15	2	42	22186-000	Transverse Torque Rod Frame Bracket	2
		• Front		43	60593-000	Axle Stop, Frame Mounted	4
	67249-006	34.0" Frame Width		44		Shock Absorber	4
	67249-014	34.3" Frame Width			60665-013	For vehicles w/Drum Brakes only	
	67249-016	34.5" Frame Width			60665-015	For vehicles w/Disc Brakes only	
	67249-026	34.8" Frame Width		45	67463-002	Upper Shock Frame Bracket	4
		• Rear			50754-029	Single Shock Fastener Service Kit , Includes Key Nos. 46-51	
	67249-005	34.0" Frame Width		46	50764-010	3/4"-10 UNC 4.25" Upper Shock Bolt	4
	67249-013	34.3" Frame Width		47	22962-001	3/4" Flat Washer	4
	67249-015	34.5" Frame Width		48	49842-000	3/4"-10 UNC Locknut	4
	67249-025	34.8" Frame Width		49	32043-007	5/8"-11 UNC 7.0" Lower Shock Bolt	4
14	58648-000	QUIK-ALIGN Pivot Bushing	4	50	22962-004	5/8" Flat Washer	8
	34013-114	Single D-Pin Bushing Service Kit , Includes Key Nos. 15-18		51	47764-000	5/8"-11 UNC Locknut	4
15	65381-000	D-Pin Bushing	4		58525-019	Height Control Valve Assembly Service Kit , Includes Key Nos. 52-54	
	56659-010	D-Pin Fastener Service Kit , Includes Key Nos. 16-18		52	57977-000	Height Control Valve Assembly	2
16	30418-009	7/8"-14 UNF 5.5" Bolt	8	53	58994-005	HCV Linkage Assembly	2
17	22962-007	7/8" Flat Washer	16	54	60921-000	Height Control Valve Linkage Bracket	2
18	29248-000	7/8"-14 UNF Locknut	8	55	64508-XXX	S-cam Support Bracket See Part No. on component	4
19		Air Spring Assembly	4	56	58035-004	3/8"-16 UNC-- 1.25" Hex Bolt	8
	67247-002	for PRIMAAX EX, Includes Key Nos. 22-25		57	22962-015	3/8" Hardened Washer	16
	68056-002	for FIREMAAX EX, Includes Key Nos. 20-25		58	17700-006	3/8"-16 UNC Locknut	8
20	65868-000	Upper Air Spring Frame Bracket for FIREMAAX EX	4	59	64202-000	5/16" S-Cam U-bolt	4
	60961-231	Single Air Spring Service Kit , Includes Key Nos. 21-28		60	22962-029	5/16" Hardened Washer	16
				61	59016-000	5/16"-18 UNC Locknut	8
				62	69565-001	U-beam Assembly Enhancement Aftermarket Service Kit, Axle Set , See Page 19 for contents	



■ 8½" – 10" Ride Height





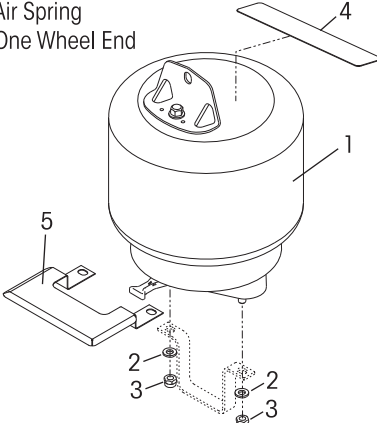
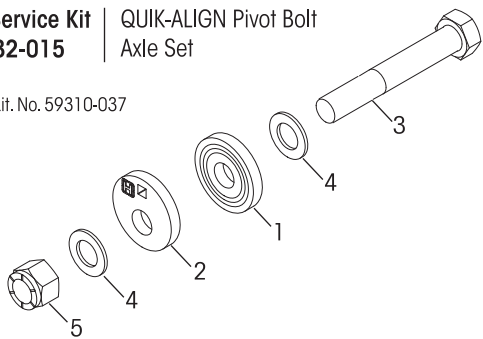
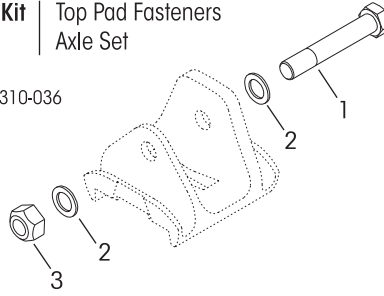
KEY NO.	PART NO.	DESCRIPTION	*NO.REQ.	KEY NO.	PART NO.	DESCRIPTION	*NO.REQ.
1	60821-001	Frame Hanger	4	24		Air Spring Assembly,	4
	60632-020	QUIK-ALIGN Pivot Bushing Service Kit, AXLE Set , Includes Key Nos. 2-6, 14 <i>Replaces 60632-008</i>		a	66255-002	Includes Key Nos. 25a, 27-28	
	60632-021	QUIK-ALIGN Collar Service Kit, Axle Set , Includes Key Nos. 2-6, <i>Replaces 60632-012</i>		b	68056-002	Includes Key Nos. 25b-30	
	60632-019	QUIK-ALIGN Collar Service Kit, One Wheel End , Includes Key Nos. 2-6, <i>Replaces 60632-006</i>		25 a		****Upper Air Spring Frame Bracket	4
	60632-018	QUIK-ALIGN Pivot Bolt Service Kit, One Wheel End , Includes Key Nos. 4-6 <i>Replaces 60632-005</i>		b	65868-000	Upper Air Spring Frame Bracket	4
2	64633-000	QUIK-ALIGN Concentric Collar	4	26	69153-002L	Air Spring, <i>Replaces 65282-002</i>	4
3	64632-000	QUIK-ALIGN Eccentric Collar	4	27	22962-014	½" Flat Washer	12
4	68217-000	1.0"-14 UNF-2A H-Coat 7.5" Hex Bolt <i>Replaces 64107-000</i>	4	28	17700-010	½"-13 UNC Locknut	12
5	68232-000	1.0" H-Coat Flat Washer, <i>Replaces 22962-035</i>	8	29	22962-001	¾" Flat Washer	4
6	68218-000	1.0"-14 UNF-2B H-Coat Locknut, <i>Replaces 64108-000</i>	4	30	17700-031	¾"-16 UNF Locknut	4
7		Top Pad, See illustration on Page 4	2	31	60911-000	Lower Air Spring Mounting Bracket	4
	65210-001	Meritor Straight Side		32 a	59479-003	Air Spring Gusset (if equipped)	2
	65210-002	Dana Straight Side		b	59479-004	Air Spring Gusset (if equipped)	2
	65210-003	Meritor Transition Side		33		Longitudinal Torque Rod Assembly See table on Page 5	
	65210-004	Dana Transition Side		34	69210-000H	Bushing - Straddle Bar Pin (¾" Holes)	8
	48718-120	U-bolt Service Kit, One Wheel End Includes Key Nos. 8a, 8b, 9-10			58821-021	Longitudinal Torque Rod Rear Bolt Service Kit, One Side , Includes Key No. 35, 37-38	
	48718-118	Includes Key Nos. 8c, 8d, 9-10		35	21867-007	¾"-16 UNF 6.0" Hex Bolt	8
8		¾" Square U-bolt	4	36	21867-018	¾"-16 UNF 3.75" Hex Bolt	16
a	59367-007	Outboard 10" Ride Ht.		37	22962-001	¾" Flat Washer	32
b	59367-008	Inboard 10" Ride Ht.		38	30191-000	¾"-16 UNF Locknut	16
c	59367-010	Outboard 8½" Ride Ht.		39	49689-000	Shim (As Required)	
d	59367-011	Inboard 8½" Ride Ht.		40	72000-xxxS	**ULTRA ROD™ PLUS™ Transverse Torque Rod Assembly, Includes Key No. 41, Specify length in mm	2
9	22962-001	¾" Flat Washer	16	41	64400-002	Bushing - Straddle Bar Pin - ¾" Holes	4
10	49685-000	¾"-16 UNF U-bolt Locknut	16	42	22186-000	Transverse Torque Rod Frame Bracket	2
11		Bottom Cap - Front and Rear See table on Page 4	4	43	60593-000	Axle Stop, Frame Mounted	4
12		Axle Spacer, See table on Page 4	4	44		Shock Absorber	4
13		***U-beam Assembly, Includes Key Nos. 14-15 <i>(Replaces previous U-beam assembly, support beam and cross tube assembly, see replacement guide on Page 18)</i>	2		60665-013	For vehicles with Drum Brakes only	
14	58648-000	QUIK-ALIGN Pivot Bushing	4		60665-015	For vehicles with Disc Brakes only	
	34013-114	Single D-Pin Bushing Service Kit , Includes Key Nos. 15-18		45	67463-002	Upper Shock Frame Bracket, <i>Replaces 65000-002</i>	4
15	65381-000	D-Pin Bushing	4		50754-029	Single Shock Fastener Service Kit , Includes Key Nos. 46-51	
	56659-010	D-Pin Fastener Service Kit , Includes Key Nos. 16-18		46	50764-010	¾"-10 UNC 4.25" Upper Shock Bolt	4
16	30418-009	⅞"-14 UNF 5.5" Bolt	8	47	22962-001	¾" Flat Washer	4
17	22962-007	⅞" Flat Washer	16	48	49842-000	¾"-10 UNC Locknut	4
18	29248-000	⅞"-14 UNF Locknut	8	49	32043-007	⅝"-11 UNC 7.0" Lower Shock Bolt	4
19		***Support Beam Assembly (66435-xxx, see replacement guide on Page 18)		50	22962-004	⅝" Flat Washer	8
20		***Cross Tube (60912-xxx, see replacement guide on Page 18)		51	47764-000	⅝"-11 UNC Locknut	4
	46772-001	End Cap and Fastener Kit, Axle Set , Includes Key Nos. 21-23			58525-019	Height Control Valve Assembly Service Kit , Includes Key Nos. 52-54	
21	60822-000	End Cap	4	52	57977-000	Height Control Valve Assembly,	2
22	50104-003	⅞"-9 UNC 3.5" Hex Bolt	4	53	58994-005	HCV Linkage Assembly,	2
23	22962-034	⅞" H-coat Flat Washer	4	54	60921-000	Height Control Valve Linkage Bracket	2
	60961-118	Single Air Spring Service Kit , for PRIMAAX, Includes Key Nos. 24a, 27-31		55	64508-XXX	S-cam Support Bracket See Part No. on component	4
	60961-119	for FIREMAAX, Includes Key Nos. 25b, 26-31		56	58035-004	⅝"-16 UNC-- 1.25" Hex Bolt	8
				57	22962-015	⅝" Hardened Washer	16
				58	17700-006	⅝"-16 UNC Locknut	8
				59	64202-000	⅝" S-Cam U-bolt	4
				60	22962-029	⅝" Hardened Washer	16
				61	59016-000	⅝"-18 UNC Locknut	8



■ Support Beam and Cross Tube Replacement Guide

PRIMAAX 230/460/690 FIREMAAX 240/480 • PRIMAAX 260/520/780 FIREMAAX 270/540							
Pages 11, 13, 17 Key Nos. 19, 20				Discontinued		New	
				Support Beam Assembly Part Number		Cross Tube Part Number	U-beam Assembly Service Kit Number
Vehicle Manufacturer	Ride Height	Drive Axle	Frame Width ¹	60831-00X • 66435-00X		60912-XXX	60961-XXX
				LEFT HAND	RIGHT HAND		
PRIMAAX 230/460/690 • FIREMAAX 240/480							
Volvo • Mack	8.5"-10.0"	Forward	33.5"	-003	-004	-005	-237
		Rear		-001	-002		-238
Kenworth • Western Star	8.5"-10.0"	Forward	34.0"	-003	-004	-001	-235
		Rear		-001	-002		-236
Freightliner • Sterling • Autocar	8.5"-10.0"	Forward	34.3"	-003	-004	-003	-241
		Rear		-001	-002		-242
Freightliner • Sterling	8.5"-10.0"	Forward	34.5"	-003	-004	-002	-239
		Rear		-001	-002		-240
International	8.5"-10.0"	Forward	34.3"	-003	-004	-003	-261
		Rear		-001	-002		-262
		Forward	34.5"	-003	-004	-002	-263
		Rear		-001	-002		-264
		Forward	34.8"	-003	-004	-009	-243
		Rear		-001	-002		-244
Fire / Rescue (Except Spartan)	8.5"-10.5"	Forward	34.0"	-003	-004	-001	-267
		Rear		-001	-002		-268
IPI • Advance • Oshkosh • Fire / Rescue	12.5"-15.5"	Forward	34.0"	-003	-004	-001	-247 ²
		Rear	<i>Fab Hanger</i>	-001	-002		-248 ²
PRIMAAX 260/520/780 • FIREMAAX 270/540							
Kenworth • Western Star • Fire / Rescue (Except Spartan)	8.5"-10.0"	Forward	34.0"	-007	-008	-001	-253
		Rear		-005	-006		-254
Freightliner	8.5"-10.0"	Forward	34.3"	-007	-008	-003	-257
		Rear		-005	-006		-258
		Forward	34.5"	-007	-008	-002	-255
		Rear		-005	-006		-256
All 12.5"-15.5" suspensions, including Fire / Rescue	12.5"-15.5"	Forward	34.0"	-003	-004	-001	-269 ²
		Rear		-001	-002		-270 ²
<p>NOTE:</p> <p>1 Contact vehicle manufacturer to verify frame width.</p> <p>2 Upper air spring bracket not included. The original bracket equipped on this vehicle can be used with the new air spring assembly included in the U-beam assembly service kit.</p>							

Severe Service Kits

PRIMAAX EX FIREMAAX EX • PRIMAAX FIREMAAX SERIES																															
Severe Service Kit No. 60961-169 Air Spring One Wheel End Reference Lit. No. 59310-035		PRIMAAX 230/460/690 8½"-10" Ride Height	<table border="1"> <thead> <tr> <th>KEY NO.</th> <th>PART NO.</th> <th>DESCRIPTION</th> <th>QTY.</th> </tr> </thead> <tbody> <tr> <td></td> <td>60961-169</td> <td>Air Spring Severe Service Kit, One Wheel End, Includes Key Nos. 1-5 (Does not include lower air spring mounting bracket)</td> <td></td> </tr> <tr> <td>1</td> <td>60271-002</td> <td>Air Spring Assembly</td> <td>1</td> </tr> <tr> <td>2</td> <td>22962-014</td> <td>½" Flat Washer</td> <td>2</td> </tr> <tr> <td>3</td> <td>17700-010</td> <td>½"-13 UNC Locknut</td> <td>2</td> </tr> <tr> <td>4</td> <td>67269-000</td> <td>Upper Air Spring Shield</td> <td>1</td> </tr> <tr> <td>5</td> <td>66975-000</td> <td>Lower Air Spring Shield</td> <td>1</td> </tr> </tbody> </table>	KEY NO.	PART NO.	DESCRIPTION	QTY.		60961-169	Air Spring Severe Service Kit, One Wheel End, Includes Key Nos. 1-5 (Does not include lower air spring mounting bracket)		1	60271-002	Air Spring Assembly	1	2	22962-014	½" Flat Washer	2	3	17700-010	½"-13 UNC Locknut	2	4	67269-000	Upper Air Spring Shield	1	5	66975-000	Lower Air Spring Shield	1
KEY NO.	PART NO.	DESCRIPTION	QTY.																												
	60961-169	Air Spring Severe Service Kit, One Wheel End, Includes Key Nos. 1-5 (Does not include lower air spring mounting bracket)																													
1	60271-002	Air Spring Assembly	1																												
2	22962-014	½" Flat Washer	2																												
3	17700-010	½"-13 UNC Locknut	2																												
4	67269-000	Upper Air Spring Shield	1																												
5	66975-000	Lower Air Spring Shield	1																												
Severe Service Kit No. 60632-015 QUIK-ALIGN Pivot Bolt Axle Set Reference Lit. No. 59310-037		PRIMAAX EX, PRIMAAX 8½"-10" Ride Height	<table border="1"> <thead> <tr> <th>KEY NO.</th> <th>KIT NO.</th> <th>DESCRIPTION</th> <th>QTY.</th> </tr> </thead> <tbody> <tr> <td></td> <td>60632-015</td> <td>QUIK-ALIGN Pivot Bolt Severe Service Kit Axle Set, Includes Key Nos. 1-5</td> <td></td> </tr> <tr> <td>1</td> <td></td> <td>*PAX QUIK-ALIGN Concentric Collar</td> <td>2</td> </tr> <tr> <td>2</td> <td></td> <td>*PAX QUIK-ALIGN Eccentric Collar</td> <td>2</td> </tr> <tr> <td>3</td> <td></td> <td>*1¼"-12 UNF Bolt - 8.0"</td> <td>2</td> </tr> <tr> <td>4</td> <td></td> <td>*1¼" Hardened Washer</td> <td>4</td> </tr> <tr> <td>5</td> <td></td> <td>*1¼"-12 UNF Nylocknut</td> <td>2</td> </tr> </tbody> </table>	KEY NO.	KIT NO.	DESCRIPTION	QTY.		60632-015	QUIK-ALIGN Pivot Bolt Severe Service Kit Axle Set, Includes Key Nos. 1-5		1		*PAX QUIK-ALIGN Concentric Collar	2	2		*PAX QUIK-ALIGN Eccentric Collar	2	3		*1¼"-12 UNF Bolt - 8.0"	2	4		*1¼" Hardened Washer	4	5		*1¼"-12 UNF Nylocknut	2
KEY NO.	KIT NO.	DESCRIPTION	QTY.																												
	60632-015	QUIK-ALIGN Pivot Bolt Severe Service Kit Axle Set, Includes Key Nos. 1-5																													
1		*PAX QUIK-ALIGN Concentric Collar	2																												
2		*PAX QUIK-ALIGN Eccentric Collar	2																												
3		*1¼"-12 UNF Bolt - 8.0"	2																												
4		*1¼" Hardened Washer	4																												
5		*1¼"-12 UNF Nylocknut	2																												
Severe Service Kit No. 58821-026 Top Pad Fasteners Axle Set Reference Lit. No. 59310-036		PRIMAAX 230/460/690 • FIREMAAX 240/480 8½"-10"-12½"-14¾"-15½" Ride Height	<table border="1"> <thead> <tr> <th>KEY NO.</th> <th>KIT NO.</th> <th>DESCRIPTION</th> <th>QTY.</th> </tr> </thead> <tbody> <tr> <td></td> <td>58821-026</td> <td>Top Pad Bolt Severe Service Kit, Axle Set, Includes Key Nos. 1-3 (Does not include Top Pad)</td> <td></td> </tr> <tr> <td>1</td> <td></td> <td>*M24 x 3.0-6G H-coat Hex Bolt</td> <td>2</td> </tr> <tr> <td>2</td> <td></td> <td>*M24 Hardened Washer</td> <td>4</td> </tr> <tr> <td>3</td> <td></td> <td>*M24 x 3.0-6H Locknuts</td> <td>2</td> </tr> </tbody> </table>	KEY NO.	KIT NO.	DESCRIPTION	QTY.		58821-026	Top Pad Bolt Severe Service Kit, Axle Set, Includes Key Nos. 1-3 (Does not include Top Pad)		1		*M24 x 3.0-6G H-coat Hex Bolt	2	2		*M24 Hardened Washer	4	3		*M24 x 3.0-6H Locknuts	2								
KEY NO.	KIT NO.	DESCRIPTION	QTY.																												
	58821-026	Top Pad Bolt Severe Service Kit, Axle Set, Includes Key Nos. 1-3 (Does not include Top Pad)																													
1		*M24 x 3.0-6G H-coat Hex Bolt	2																												
2		*M24 Hardened Washer	4																												
3		*M24 x 3.0-6H Locknuts	2																												

NOTE: * Item included in assembly / kit only, part not sold separately.

U-beam Assembly Enhancement Aftermarket Service Kit

PRIMAAX EX FIREMAAX EX SERIES			
U-beam Assembly Enhancement Aftermarket Service Kit No. 69565-001, Axle Set			
PART NO.	DESCRIPTION	QTY.	COMMENTS
69351-000	Sikaflex 221 Polyurethane Sealant, 300 ml Tube	1	In the event any service to the suspension requiring disassembly of a U-beam assembly equipped with integrated end caps, the Loctite 277, tamper resistant caps and Sikaflex 221 polyurethane sealant must be properly installed to ensure components function to their highest efficiency. The enhancement components can be purchased individually or as an aftermarket service kit.
69432-000	Tamper Resistant Cap	2	
69570-000	Loctite® 277 - 10 ml Bottle	1	
50104-006	⅝"-9 UNC 4.0" Hex Bolt	2	
22962-042	⅝" H-Coat Flat Washer	2	

This is a general parts list to provide directional information. Components may vary by model. Questions in regards to parts, contact Hendrickson Truck Parts at 1.866.755.5968 (Toll-free U.S. and Canada), 630.910.2800 (Outside U.S. and Canada) or e-mail: truckparts@hendrickson-intl.com.

www.hendrickson-intl.com



Truck Commercial Vehicle Systems
800 South Frontage Road
Woodridge, IL 60517-4904 USA

1.866.755.5968 (Toll-free U.S. and Canada)
630.910.2800 (Outside U.S. and Canada)
Fax 630.910.2899